

KB MIXERS FOR THE BUILDING INDUSTRY



dry mortars



grouts



gypsum processing



Applications

sealants & glues



adhesives



precast products



Tools & Accessories



rev counter



sampling device



*hydraulic 60°
bomb door*



bolted liner



high speed refiner

Benefits



*shortest
mixing time*



*batch
repeatability*



*excellent particle
distribution*



*maximum
saving*



*guaranteed
scale-up*

Central discharge

up to 12 batches/hour

1, 2 or 3 separate discharges

easy to install / flexible

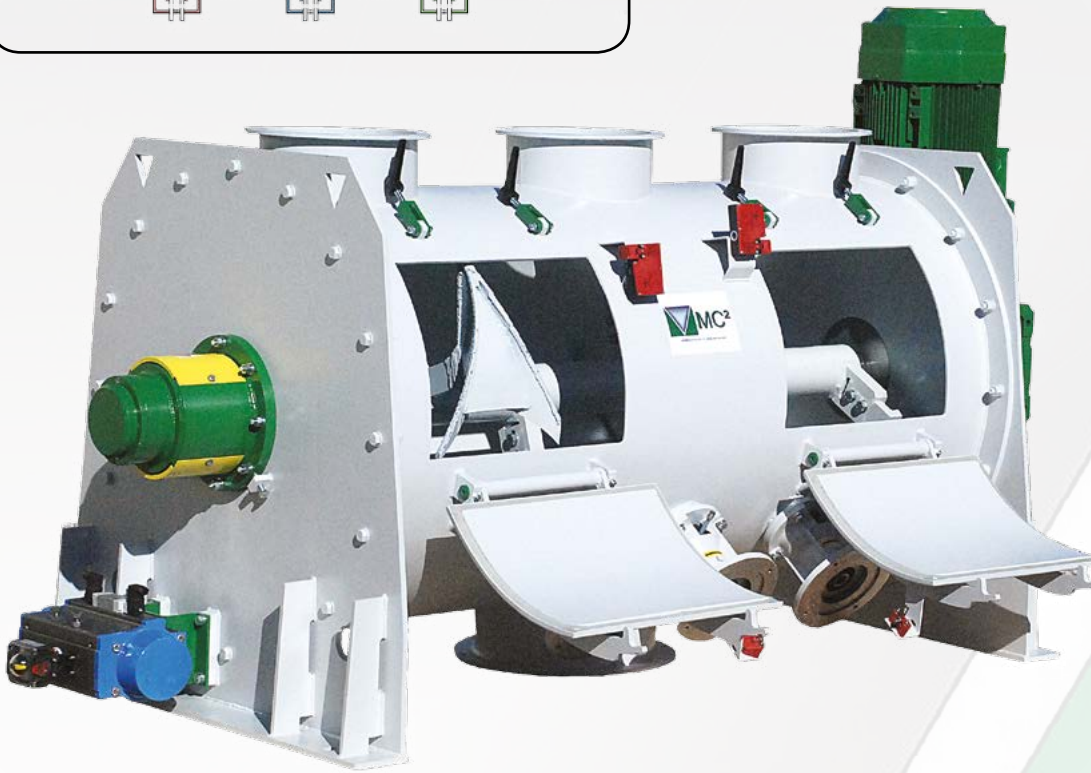
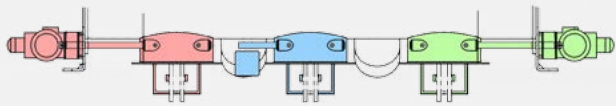
< 3% residue

ploughs or blades

high speed refiners

wear-resistant coating on tools

direct or separate drives



60° bomb door

up to 18 batches/hour

1 off. 60° bomb door (pneumatic or hydraulic)

requires catch hopper

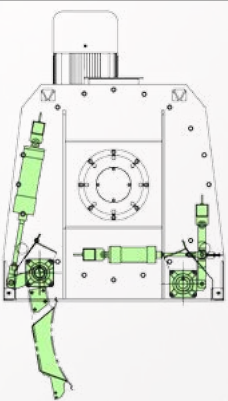
< 0.3% residue

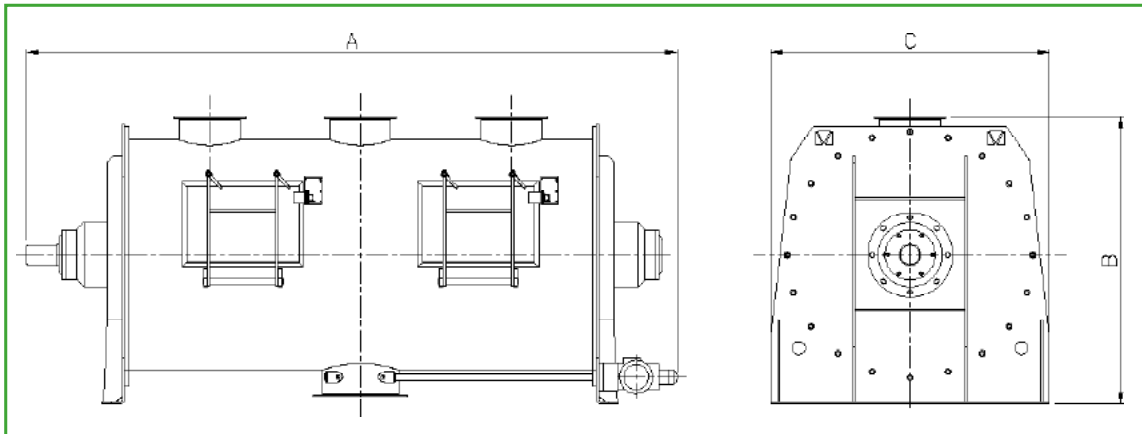
ploughs or blades

high speed refiners

wear-resistant coating on tools

direct or separate drives





Mixer Model	Min. Useful Vol. (l)	Max. Useful Vol. (l)	A (mm)	B (mm)	C (mm)	Installed Power (kW)
KBC-KBT 250	85	250	1471	941	825	4.0 ÷ 9.2
KBC-KBT 400	155	460	1720	1112	975	7.5 ÷ 18.5
KBC-KBT 600	215	650	2039	1169	1025	9.2 ÷ 22.0
KBC-KBT 750	275	820	2289	1311	1150	11.0 ÷ 30.0
KBC-KBT 1300	475	1425	2603	1596	1400	18.5 ÷ 45.0
KBC-KBT 1700	595	1780	3038	1680	1456	30.0 ÷ 55.0
KBC-KBT 2000	700	2150	3130	1781	1563	30.0 ÷ 75.0
KBC-KBT 2500	850	2545	3690	1875	1625	37.0 ÷ 90.0
KBC-KBT 3300	1150	3445	3721	1995	1750	45.0 ÷ 110.0
KBC-KBT 3700	1300	3900	4170	2100	1820	55.0 ÷ 132.0
KBC-KBT 5500	1940	5825	4720	2351	2063	75.0 ÷ 200.0
KBC-KBT 7000	2495	7485	4829	2494	2188	110.0 ÷ 250.0
KBC-KBT 9000	3200	9625	5421	2850	2500	132.0 ÷ 300.0



MC² Srl
 via S. Domenico, 7
 40124 Bologna (BO) Italy
 T. +39 059 8723725

E. info@mc2-srl.com
 W. www.mc2-srl.com

