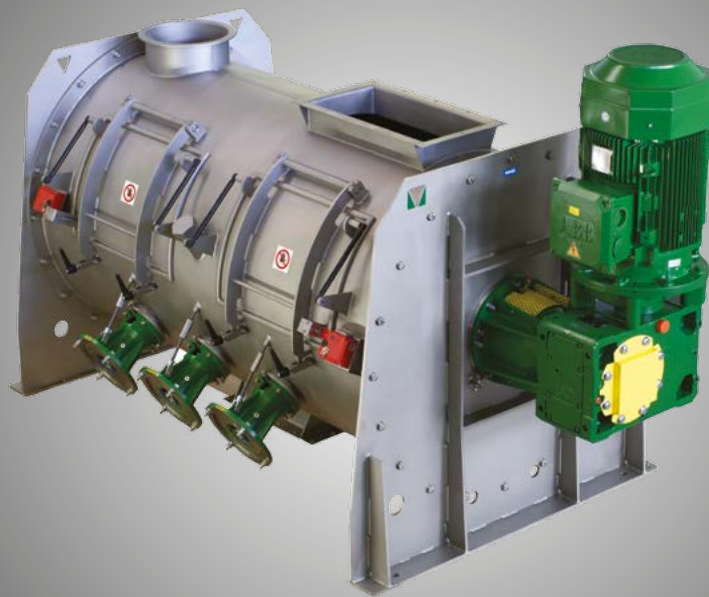


KB BATCH MIXERS



KB Batch Mixers



central discharge mixers



total bomb-bay discharge mixers

KB ploughshare batch mixers represent the ideal solution for the user, both in terms of product quality and money saving. Available with a central discharge or a total bomb-bay discharge, they can be included without difficulty in any production plant. Thanks to their short mixing time, top quality performance in terms of particle distribution (up to 1:100,000) and batch repeatability, guaranteed cycle after cycle, these units provide the ideal solution when it comes to flexibility, reliability, performance and return on investment.

All KB mixers are available in painted mild steel, stainless steel (304 and 316) and wear-resistant steel. For special applications, different types of drum liners and mixing tool coatings are available on demand.

A wide range of accessories provides the user with the ideal mixer configuration (refiners, liquid injection systems, temperature jackets and probes, pneumatic sampling devices, special seals for fine and abrasive materials, multiple inlets and outlets). If and when necessary, tailor-made technical solutions can be engineered, designed and manufactured to meet even the most challenging needs.

KB mixers : the ultimate mixing solution

Benefits



shortest mixing time



batch repeatability



excellent particle distribution



maximum saving

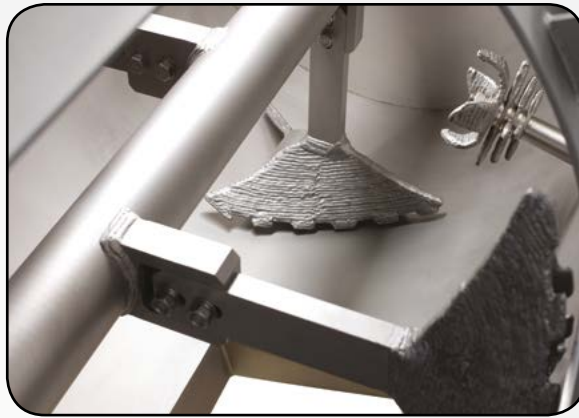


guaranteed scale-up

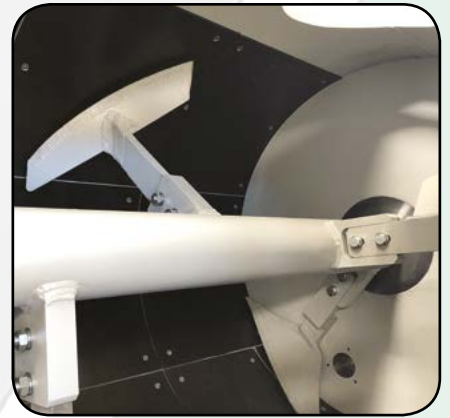
Tools & Accessories



high speed refiners



plough-type tools



internal bolted liner

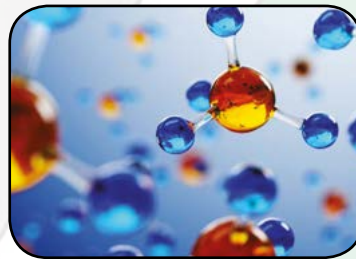
Industries



food & animal feed



building & construction



chemicals & pharma



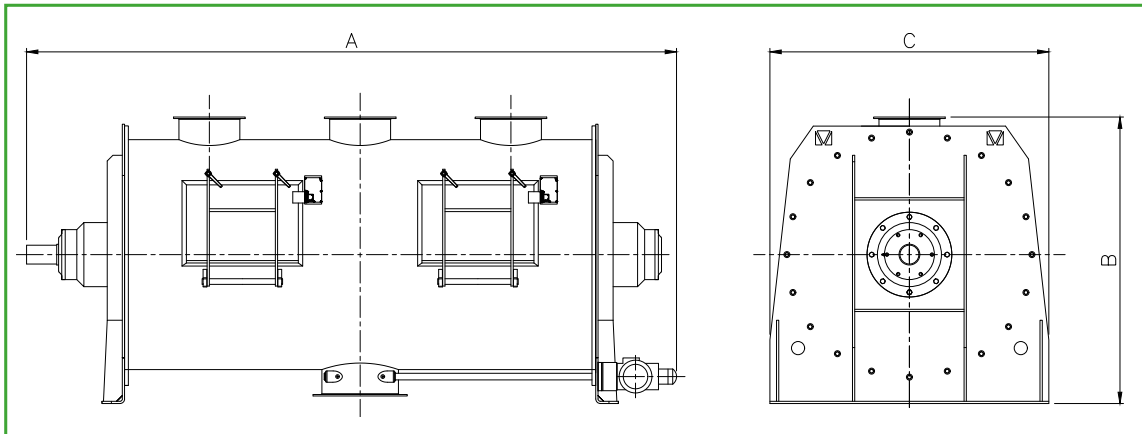
ecology & biogas



KBC mixer for sugar and flavours



KBT mixer for flour



Mixer Model	Min. Useful Vol. (l)	Max. Useful Vol. (l)	A (mm)	B (mm)	C (mm)	Installed Power (kW)
KB 55	20	60	970	579	508	1.1 ÷ 3.0
KB 100	35	105	1120	724	635	1.5 ÷ 4.0
KB 250	85	250	1471	941	825	4.0 ÷ 9.2
KB 400	155	460	1720	1112	975	7.5 ÷ 18.5
KB 600	215	650	2039	1169	1025	9.2 ÷ 22.0
KB 750	275	820	2289	1311	1150	11.0 ÷ 30.0
KB 1300	475	1425	2603	1596	1400	18.5 ÷ 45.0
KB 1700	595	1780	3038	1680	1456	30.0 ÷ 55.0
KB 2000	700	2150	3130	1781	1563	30.0 ÷ 75.0
KB 2500	850	2545	3690	1875	1625	37.0 ÷ 90.0
KB 3300	1150	3445	3721	1995	1750	45.0 ÷ 110.0
KB 3700	1300	3900	4170	2100	1820	55.0 ÷ 132.0
KB 5500	1940	5825	4720	2351	2063	75.0 ÷ 200.0
KB 7000	2495	7485	4829	2494	2188	110.0 ÷ 250.0
KB 9000	3200	9625	5421	2850	2500	132.0 ÷ 300.0



MC² Srl
 via S. Domenico, 7
 40124 Bologna (BO) Italy
 T. +39 059 8723725

E. info@mc2-srl.com
 W. www.mc2-srl.com

